



# Optilia Instruments

---

Empowering Your Vision!

Product Review:

# High Definition Inspection Cameras

---

New technology to replace microscope based inspection tasks!



# Advantages over Traditional Ocular Microscopes

- **Less tiring** than looking under binocular based cameras / ocular microscopes
- **Longer working distances** no risk of board contact. Crucial for efficient assembly, reparation and rework
- **Auto focus optics** ‘frees up’ the hands and allows quick inspection of objects at different heights and magnifications
- **Larger depth of field** for easier and quicker work
- **Powerful optical zoom** 1x to 30x produces “large field” to “high magnification” images
- **Remote control** of magnification, focus, brightness, Iris etc. provides flexibility to different inspection objects and lighting conditions
- **Live image overlay** for displaying graticules, cross-line, zoom factor
- **Foot switch** allows hand free control of zoom image capture etc.
- **Full HD 1080p resolution** 60 fps video with no lag for easy optical inspection

# Advantages over Stereo Microscopes

<b>Performance</b>	<b>HD Video</b>	<b>Stereo Microscope</b>
Ergonomic Inspection	Excellent	Poor
Large Working Distance	Excellent	Good
Large Depth of Focus	Excellent	Good
Large Field Of View	Excellent	Good

<b>Application</b>	<b>HD Video</b>	<b>Stereo Microscope</b>
Optical Inspection	Excellent	Excellent
In-line Inspection	Excellent	Poor
Video / Image Recording	Excellent	Optional
Documentation	Excellent	Optional
Repair / Rework	Good	Excellent
Assembly Work	Excellent	Good

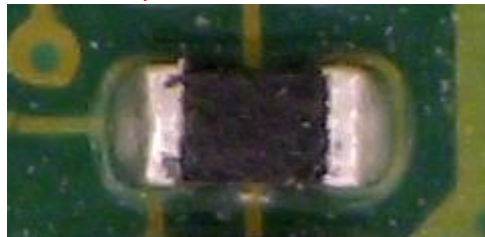
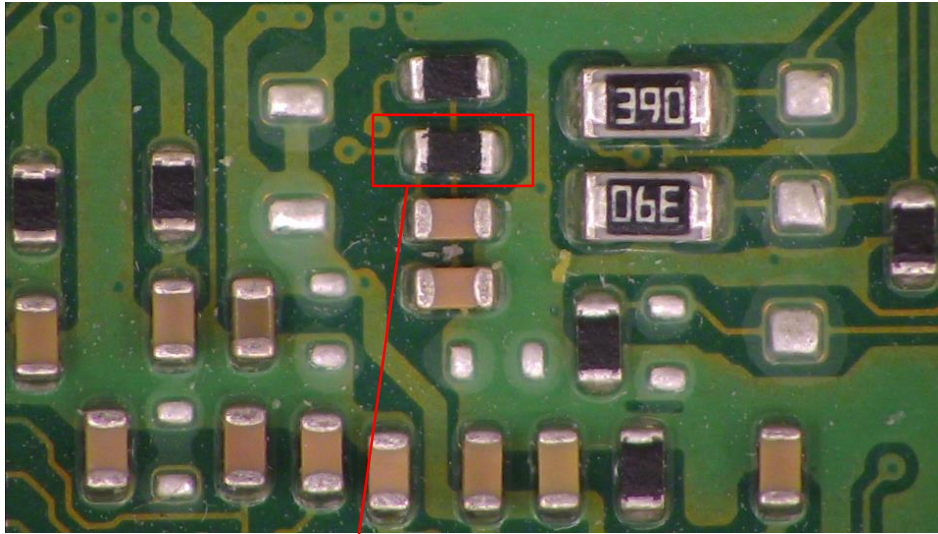
# Optilia High Definition Inspection Cameras

Product Features	M20X, EV/FS HD	M30X EV/FS Full HD	W10X Full HD	W30X Full HD	W30X, FS Full HD
HD Format Frame Rate	720p 60fps	1080p 60fps	1080i 720p 60fps	1080p, 720p 60fps	1080p, 720p 60fps
Image Sensor (Video)	1/4" CMOS 1.4 M Pixels	1/2.8" CMOS 3.2 M Pixels	1/3" CMOS 2 M Pixels	1/2.8" CMOS 3.2 M Pixels	1/2.8" CMOS 3.2 M Pixels
Optical Zoom	20x	30x	10x	30x	30x
Max Magnification (with +10 lens)	~ 190X	~ 250x	~ 90x @ 1080p ~135x @ 720p	~ 250x @ 1080p ~ 350x @ 720p	~ 250x @ 1080p ~ 350x @ 720p
Standard Working Distance range	210-240 mm EV 350-500 mm FS	190-245 mm EV 350-500 mm FS	190-245 mm	190-245 mm	350-500 mm
Laser pointer	No	No	Yes	Yes	Yes
Auto Focus Speed	Very Fast	Fast	Very Fast	Fast	Fast
Remote Camera Control device	Yes Push button	Yes Push button	Yes Joystick	Yes Joystick	Yes Joystick
Controls	Zoom, Brightness Focus, colour, overlay	Zoom, Brightness Focus, colour, overlay	Zoom, Brightness Focus, Iris, shutter, colour, freeze, overlay	Zoom, Brightness Focus, Iris, shutter, colour, freeze, overlay	Zoom, Brightness Focus, Iris, shutter, colour, overlay, freeze
Control Software	No	No	Yes	Yes	Yes
Foot Switch	Yes	Yes	Yes	Yes	Yes

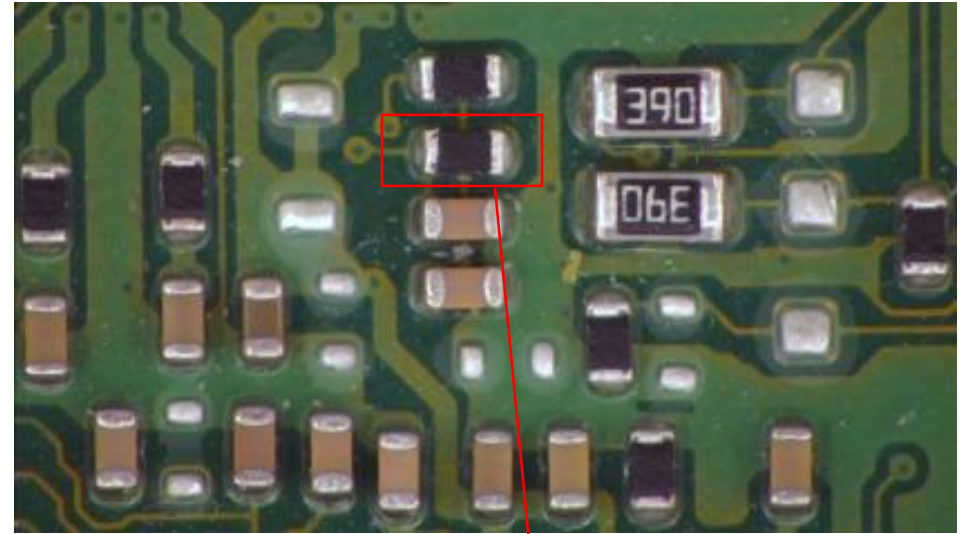
The most modern advances in camera technology and optical design

# Full 1080 HD vs. 720 HD

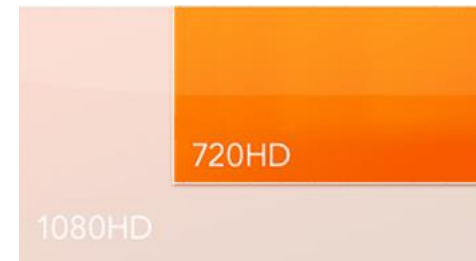
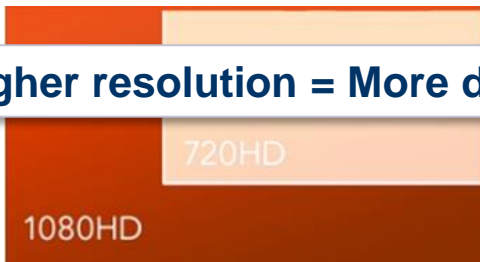
**1080 HD (Full HD)**  
1920x1080 pixels



**720 HD**  
1280x720 pixels



**Higher resolution = More details**



# Optilia HD Camera family

**W30x** (1080p, 60fps)



**W10x** (1080i, 60fps)



**M30x** EasyView (1080p, 60fps)



**M20x** EasyView (720p, 60fps)



**In-Line** with XY-stand



**W30x** FreeSight (1080p, 60fps)



**M30x** FreeSight (1080p, 60fps)



**M20x** FreeSight (720p, 60fps)



**Bench-top** with XY-stand



HD TV/Monitor Sold Separately or Customer can purchase independently.  
Optional Antistatic housing and/or IP65 housing available for M20x, M30x and W30x models.

# W30x 1080p Full HD Camera

**Modular system with powerful 30x Zoom!**



Best image quality with 60fps video output  
Joystick Camera/Lens control and Laser Pointer  
Optimized for image analysis and measurement

Full HD  
1080



**Replaces your  
microscope!**



# Sample picture



# W10x 1080i HD Camera

**Reliable, Robust and Long-life!**



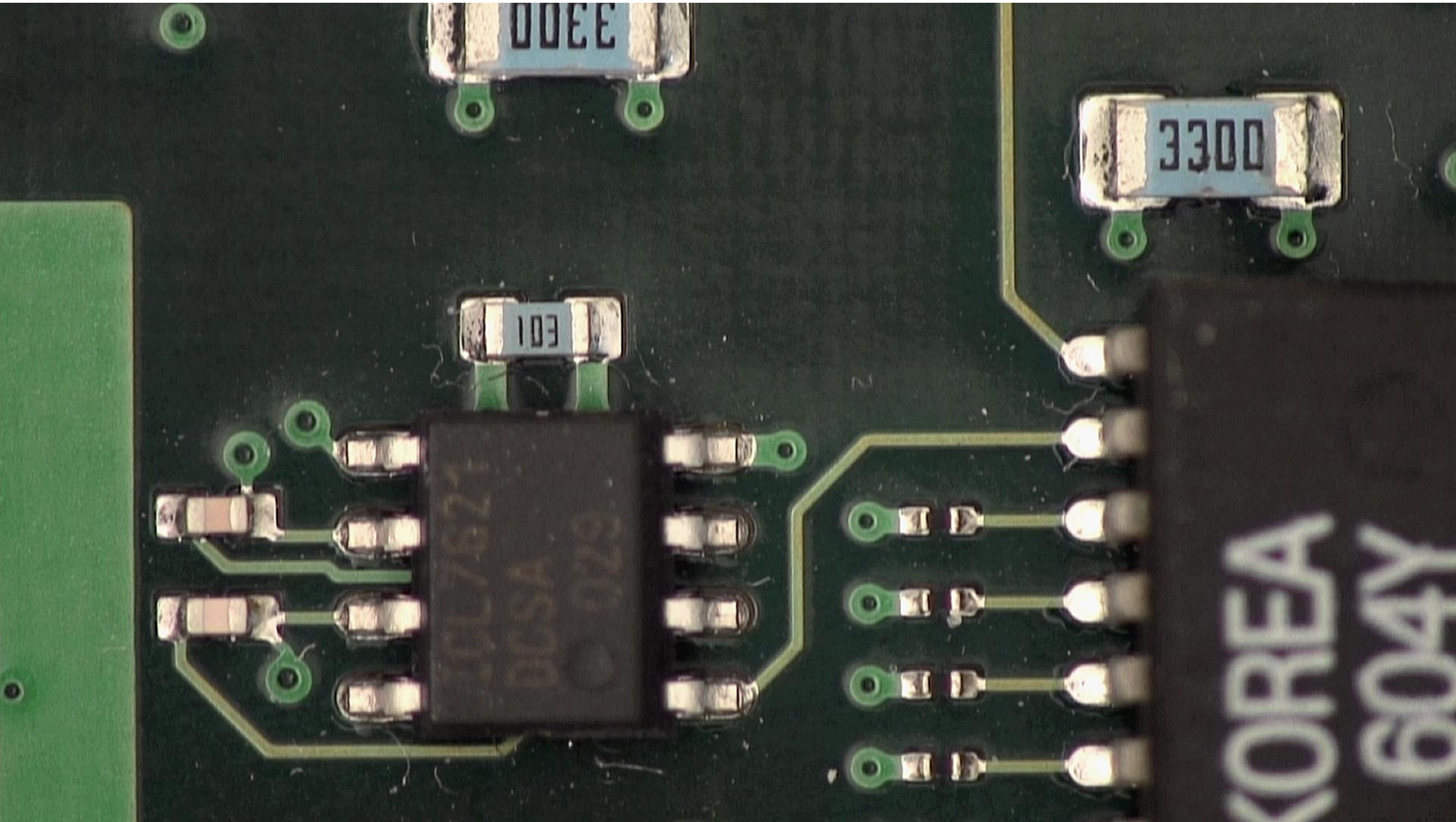
**Full HD  
1080**



Rugged aluminum housing with integrated zoom buttons  
Fast #F1.8 optics! Use it without extra illumination  
Designed for highest quality and flexibility

**Optimised for  
In-line inspection!**

# Sample picture



10x zoom, standard lens  
Ambient light

# M30x EasyView, 1080p Full HD Camera

**Exceptional Performance-to-Price ratio!**

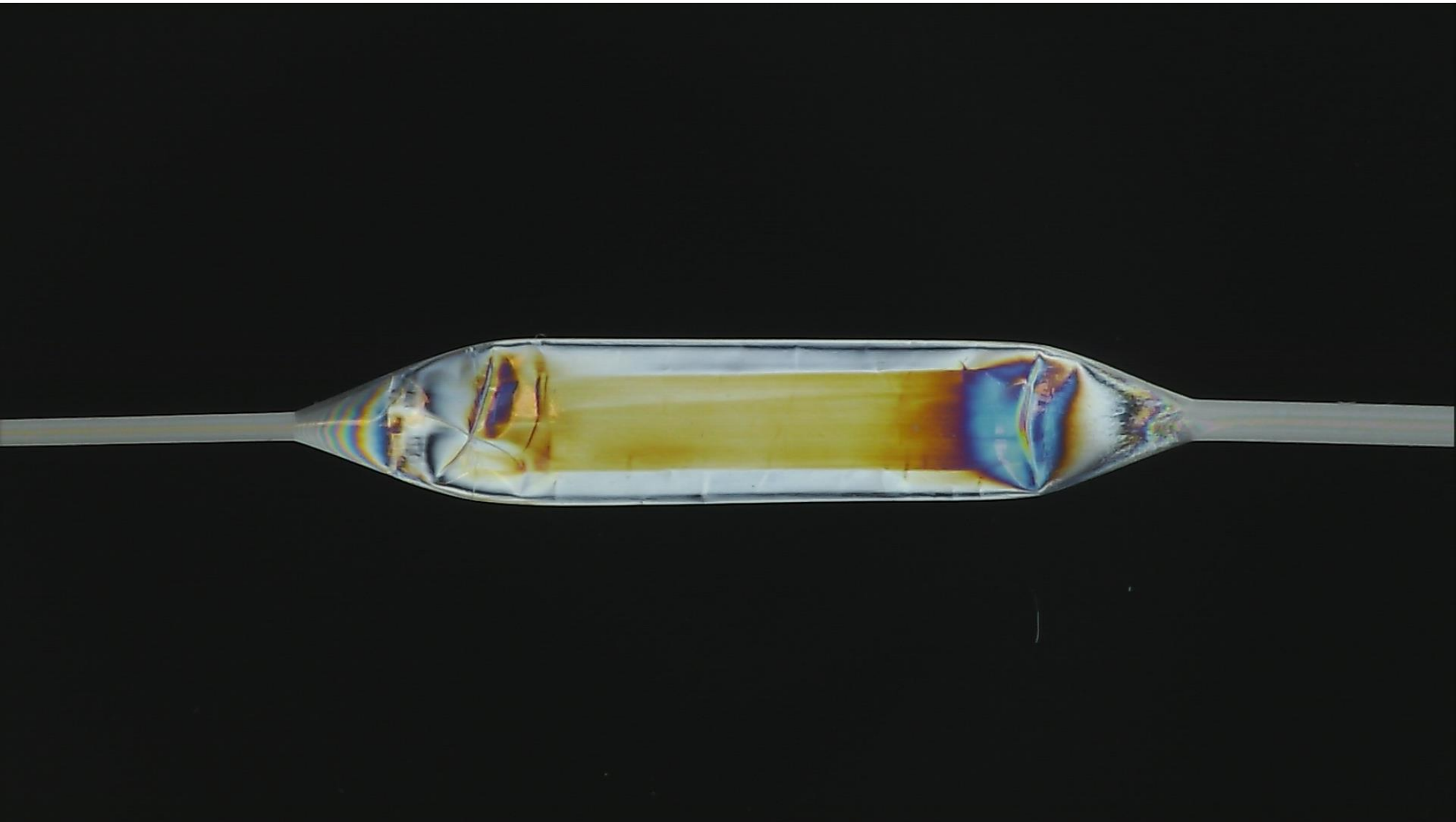
Full HD  
1080



Crisp Full HD video with powerful 30x optical Zoom  
Easy to setup and to operate  
Optimised for professional optical inspection

**For all kind of  
Optical Inspection!**

# Sample picture



# M20x EasyView, 720p HD Camera

**Plug & Play, All Inclusive!**



High frame rate, crisp HD video  
Easy to setup and to operate  
The most cost effective professional HD inspection



**For all kind of  
Optical Inspection!**

# Sample picture



20x zoom with +5 close-up  
RingLight LED Illumination

# FreeSight W30x, M30x and M20x Cameras

**Extended 350 to 500 mm working distance !**



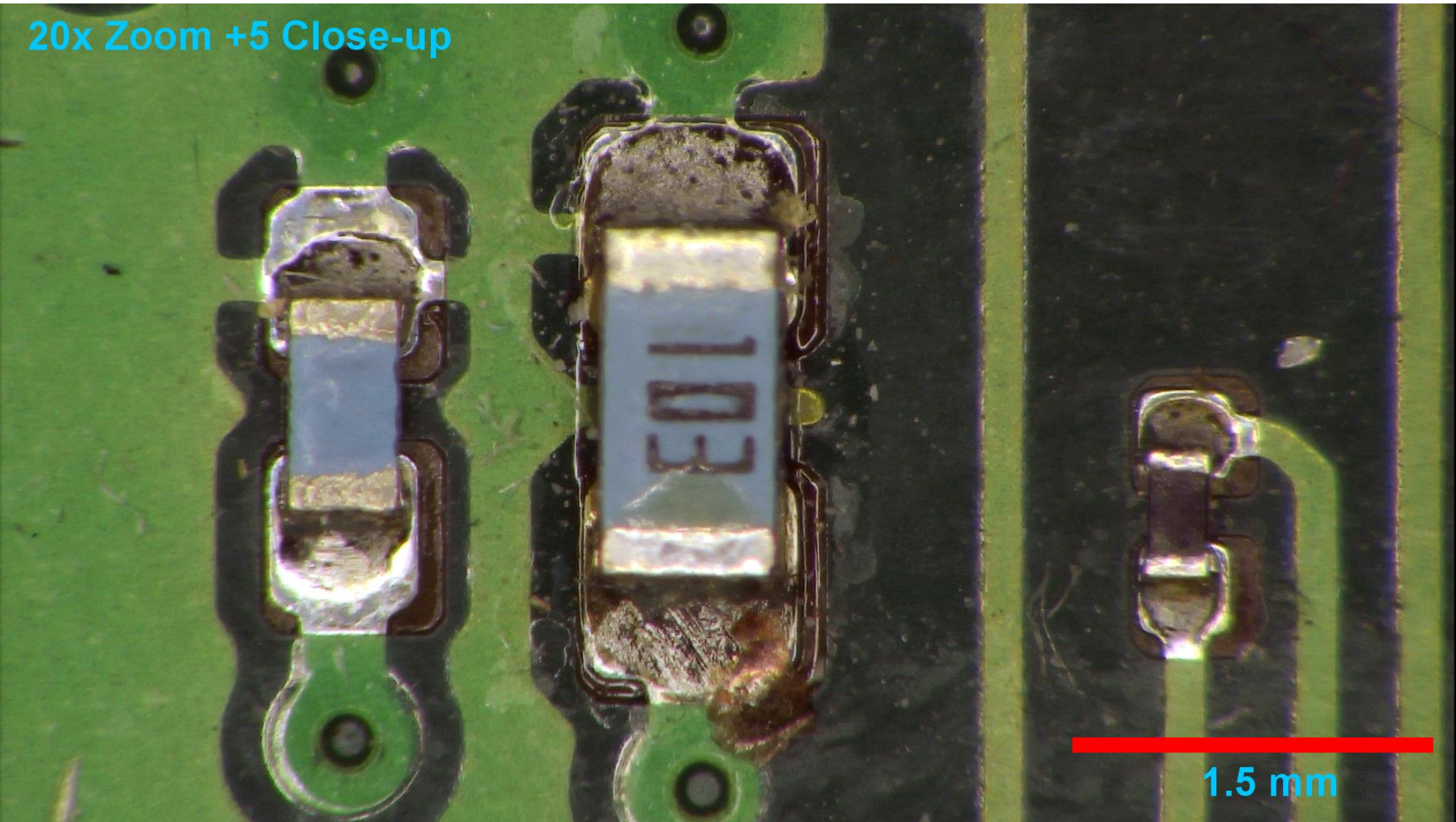
Clutter-free working space with clear viewing of the monitor  
Excellent Depth of Field  
Maximum comfort ergonomics

**For assembly,  
rework and  
reparation!**



# Sample picture

20x Zoom +5 Close-up



1.5 mm

# Remote Camera Control

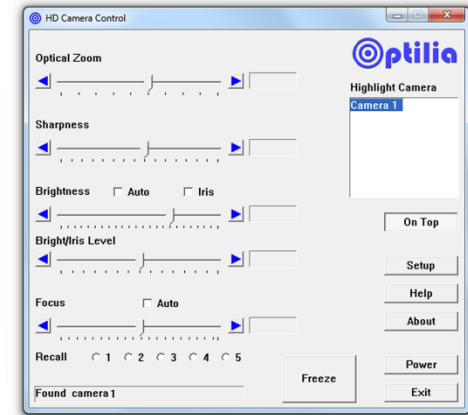
- Remote Control of **Magnification, Brightness, Iris, Shutter, Colour, Focus** etc.
- Add-on software for **Cross Line** overlay and **Zoom factor** display.
- 2 preset configurations can be saved in memory and re-called!
- PC Control Software available for W10x and W30x cameras.
- Optional Foot Switch for “Hand-free” control of Magnification, Brightness and Focus!



**Joystick** advance control  
W30x  
W10x



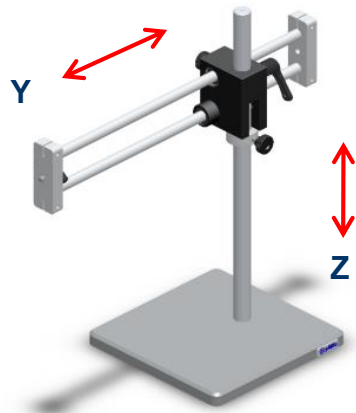
**Basic** control  
M30x  
M20x



**PC software** full control  
W30x  
W10x

# Double-rod Boom Stand

Double-rod Boom



OP-006-199

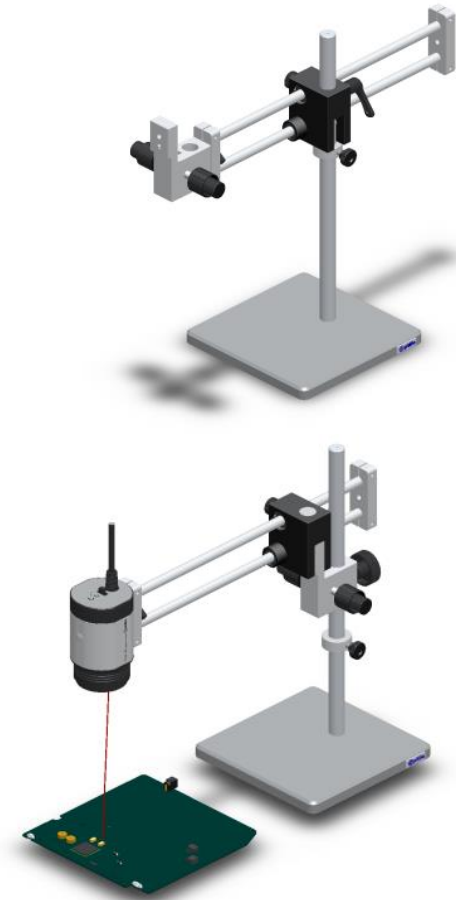
Rack & Pinion



OP-006-334

+

=



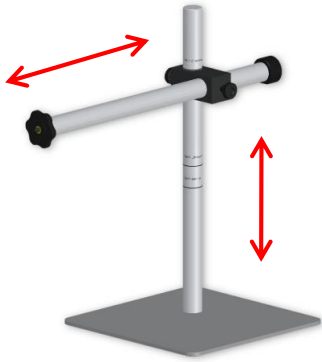
Robust and stable stand with 300mm Y-Z-travel as standard!

Up to 600mm travel at request!

Compatible with optional Coarse/Fine Rack & Pinion Unit for precision manual focusing of camera!

# Single-rod Boom Stands

Single-rod Boom



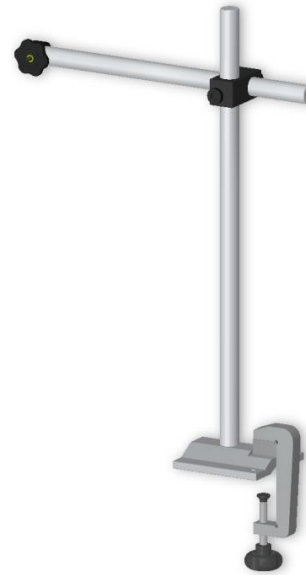
**OP-006 660**  
Multifunction, easy-to-use!

with Height extender



**OP-006 660**  
**OP-006 661**

Table Clamp



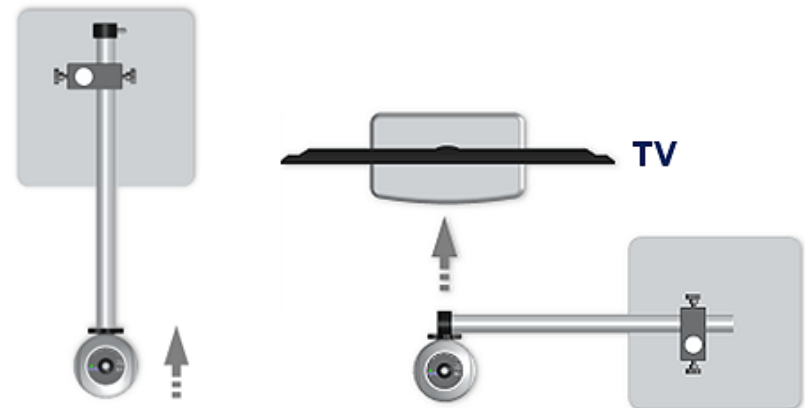
**OP-006 662**  
Recommended for W30x FreeSight.

Wall mount



**OP-006 663**  
For best image Stability!

The Camera can be mounted straight or at 90° angled position!



# 4-directional tilt unit

## Camera Tilt device For Double-rod Boom and XY-stands

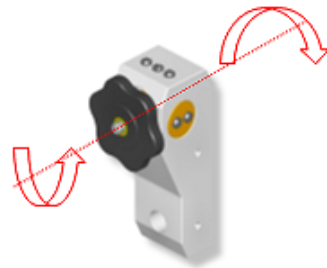
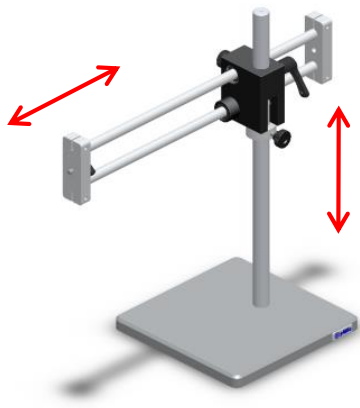
OP-006-199

+

OP-006-334

=

X ,Z, 4 Tilt- Axes



**25 degree all Tilt-Axes**

Camera Plus 4- Direction Tilt Unit provides the greatest flexibility for Side Inspection of objects.

# Focusing Stand

**Microscope stand with precise rack & pinion vertical travel!**



OP-006 201



For precise Focus Adjustment at High Magnifications!  
Good option for W30x/M30x with extra Close-up lens and RingLight

# Sample picture

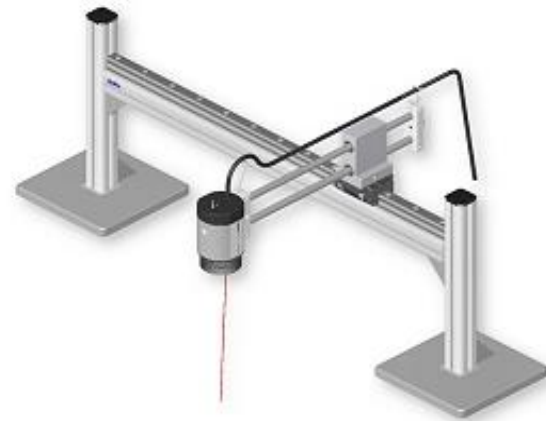


# Gantry, large working area XY-Stand

In-Line



Bench-top



For non-contact safe inspection. XY stand is mounted over conveyors or inspection area and allow inspection without moving or touching the board. Up to 1000mm XY-travel over inspection object!



# In-line large working area XY-Stand



The Camera positioned over conveyor after Pick & Place

# Weight less Parallel Arm

**Long-reach solution for ultimate flexibility!**



**OP-006 328**



**X,Y, Z and free Tilt-Axes**

920 mm working range!  
With articulating knuckle and lockable gas springs.

# Optional Close-up Lenses



**+2 Dioptr**  
~ 1.5x more Mag.



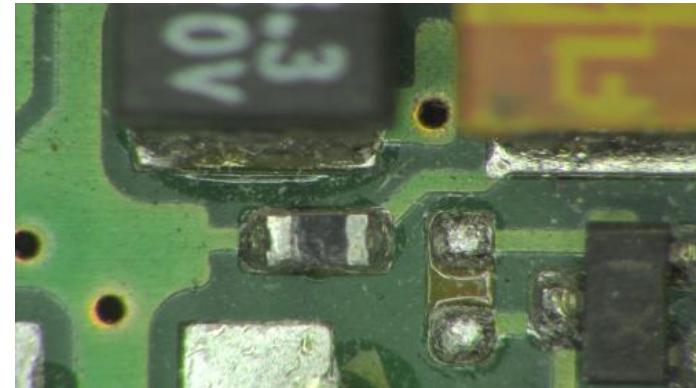
**+5 Dioptr**  
~ 2.2x more Mag.



**+10 Dioptr**  
~ 3.2x more Mag.



**W10x, standard lens**



**W10x, standard lens +5 Close up**

Specially designed for best Colour and highest Image Quality!  
Several Close-up Lenses can be stacked for more optical power!

# Illuminations and Filters

- **White Ring Lights 40 or 80 LEDs 65 to 500mm Working Distance**
- **UV Florescent Ring Light.**
- **Coaxial Incident Diffuse LED light.**
- **Bright Field Polarized LED Illumination Kit with Rotatable Analyzer.**
- **Dark Field LED Illumination Kit.**
- **Double Arm Spot-Light.**
- **Polarizer Filters, Diffusers, Lens Protection filters.**



White Ring Lights 40 LED



UV Ring Light



Coaxial incident



Bright field with Pol.

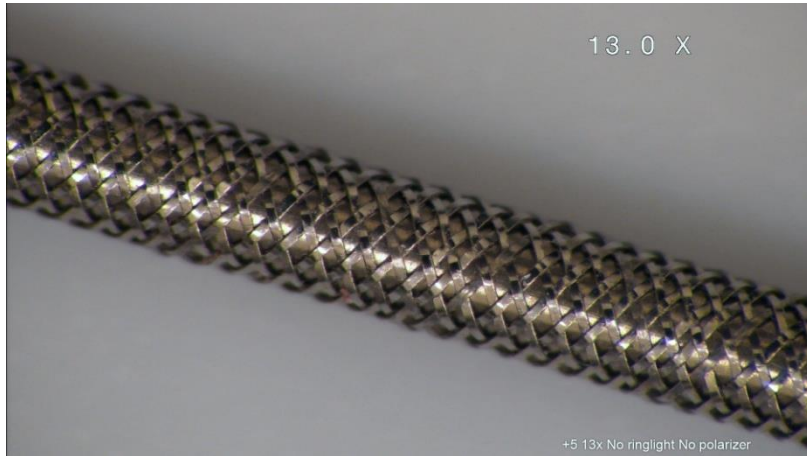


Dark field



Double Spot-light

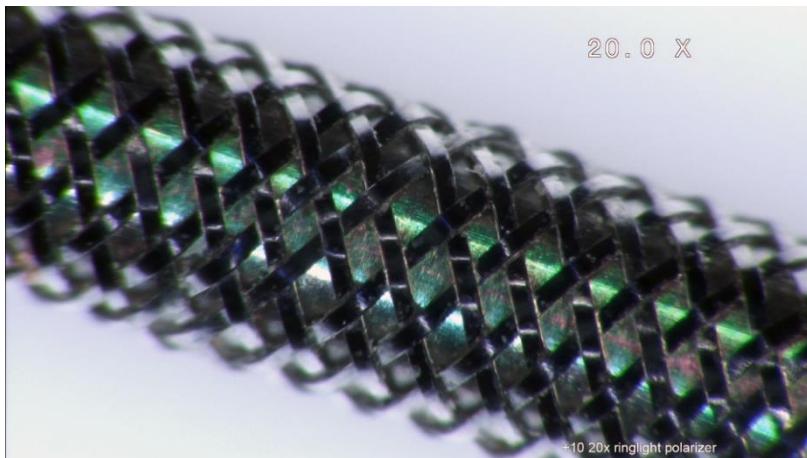
# Illuminations effect on Object!



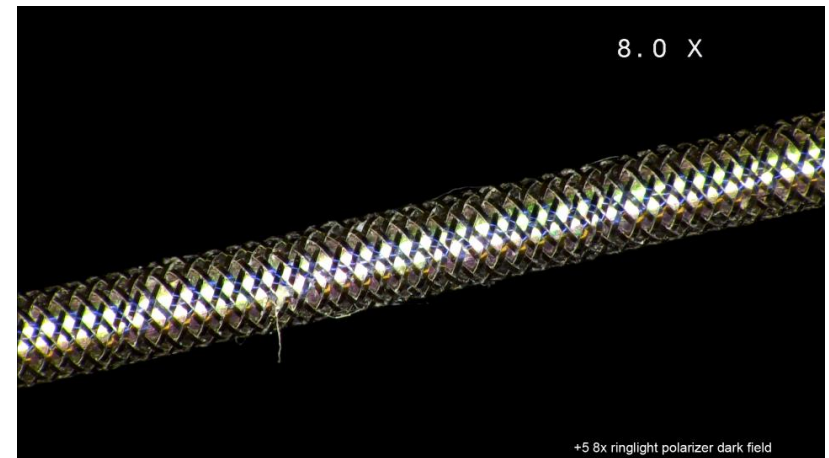
13x Zoom +5, Ambient office light!



20x Zoom +5, with Ring light & Polarizer!



20x Zoom +10, with Ring light & Polarizer!



8x Zoom +5, with Dark Field & Ring light!

# Accessories, XY-boards

**Linear Floating XY-Translation Stage, equipped with thick static dissipative top matting.**



X-travel • 450 mm

Y-travel • 300 mm

Size of antistatic surface • 420x330 mm

Maximum height • 42 mm

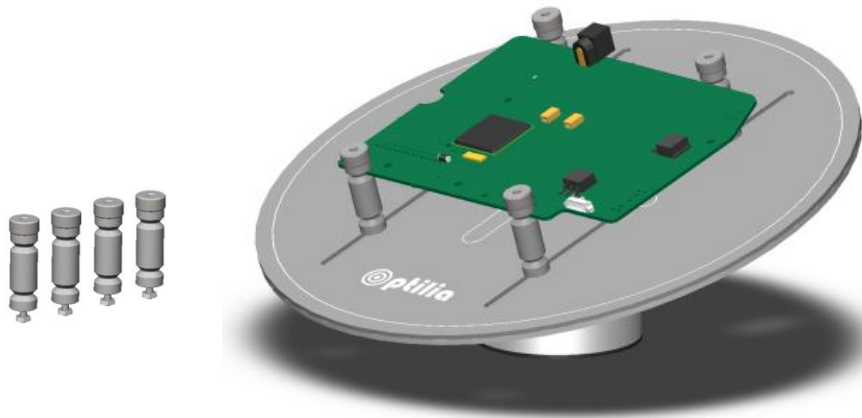
Can also be ordered with electromagnetically **Position Locking** system.



# Accessories, All directional Tilt Table

**Facilitates examination of inspection objects from different directions**

- Size of antistatic board • Ø 250mm
- Maximum tilt angle • 30 degrees
- Maximum height • 130mm
- Surface material • ESD-protective mat



Can also be ordered with electromagnetically  
**Position Locking** system.



# Capture and Measurement with PC / Laptop

## 1080HD Frame grabbers with Software

### PCI-e



### USB3.0



## Recommended PC's

### Minitower/Tower:

HP PRO Desk 600 W7/8

### Small size:

Fujitsu ESPRIMO CI5 Win7/8P

### Laptop:

HP Pro Book, Intel i5, 15.6" HD+

MSI, Intel i5, 15.6" Full HD

## Software



**OP-006 120, OptiPix Lite.** Display/Capture/Line measurement  
Included in Frame Grabbers.

**OP-006 119, OptiPix Full.** Display/Capture/Geometrical  
Measurements/Overlay  
Micrometer Calibration Scale included.

**OP-006 121, OptiPix Full with Database.** Display/Capture/  
Geometrical Measurements/Overlay/Database/Reporting.  
Micrometer Calibration Scale included.



# Capture Full HD Digital Image without PC

**Capture 32 GB of Full HD still pictures on removable SD-card**

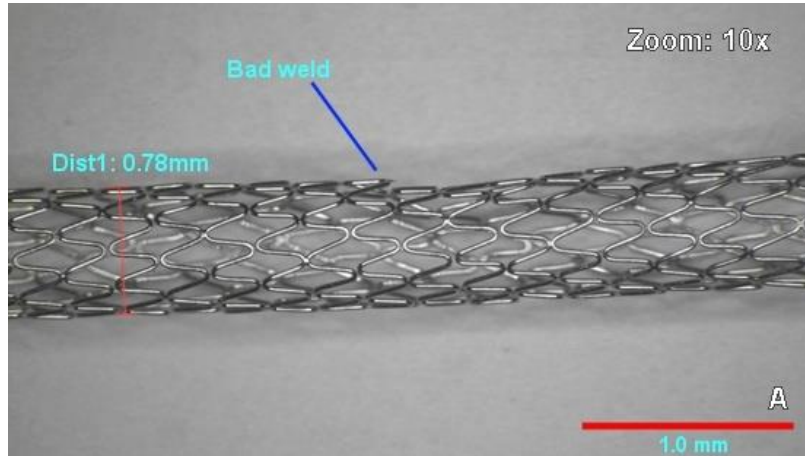


**Full HD  
1080**

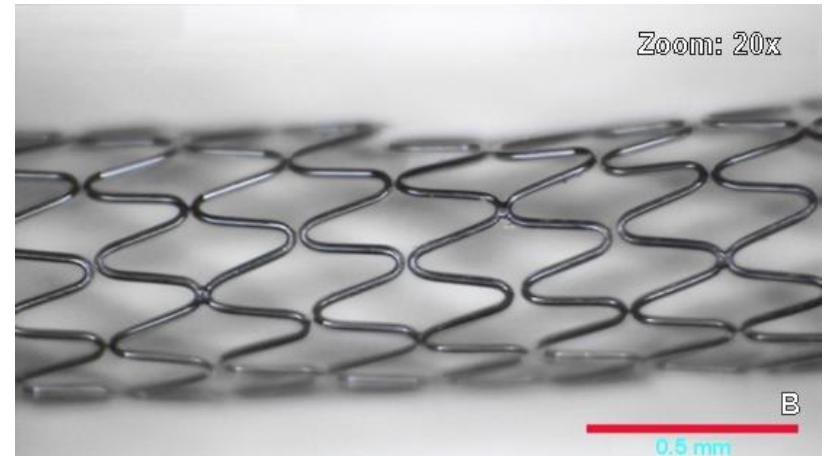
Only Full HD 1920x1080 external capture device on the market!

- HDMI output
- Dual picture display via USB output as reference
- Overlay lines, patterns, annotations or CAD drawings on live image  
“Digital Graticule“
- Foot switch for hand-free operation

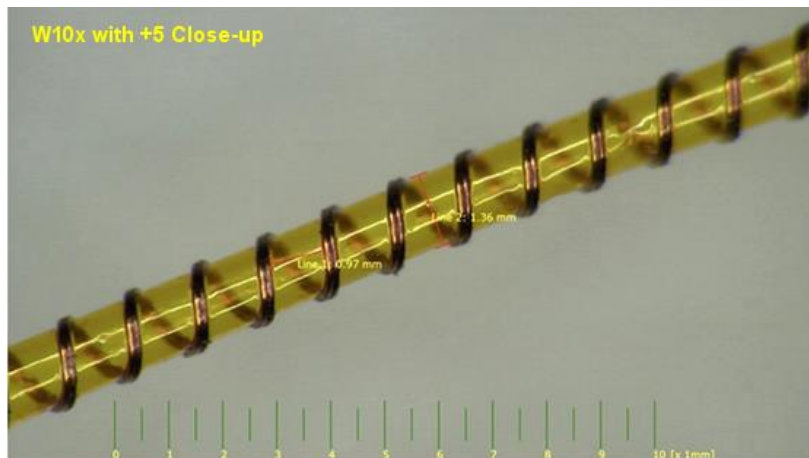
# Sample calibrated pictures in OptiPix



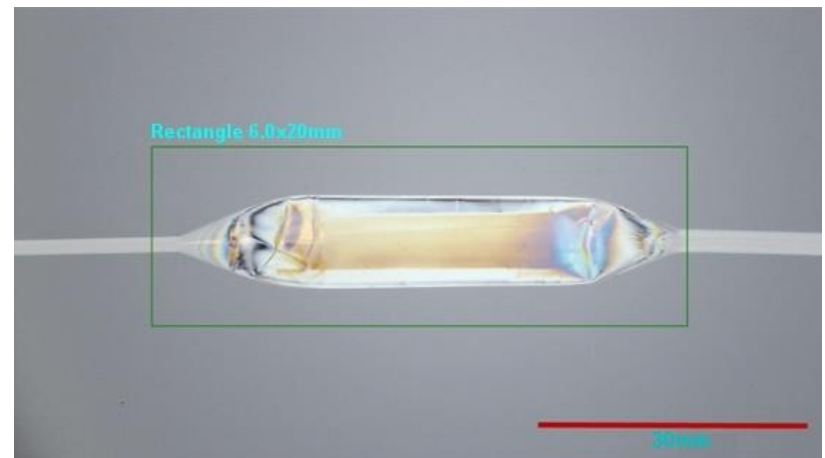
**W30x with +10 macro**, 10x zoom, A  
Incident RingLight



**W30x with +10 macro**, 20x zoom, B  
Incident RingLight



**W10x with +5 macro**, calibrated in OptiPix  
Incident RingLight



**W10x standard lens**  
Bright Field Polarized Illumination

# Software – OptiPix Lite, Full or DataBase version?

OptiPix Feature	Lite	Full	Data base
<b>Database management</b>			
Encrypted Database			○
Case Management			○
Advanced Search and Sort			○
Create Automatic Reports in pdf			○
<b>Archiving</b>			
File Folder System Management	○	○	○
Open/save Images with Calibration	○	○	○
<b>Device</b>			
Image Capture	○	○	○
Adjust Properties	○	○	○
Adjust Resolution	○	○	○
User-defined Magnification	○	○	○
<b>View</b>			
Freeze Image	○	○	○
Compare Image (live and freezed)		○	○
<b>Image manipulation</b>			
Contrast, Brightness, Color contr.		○	○
Flip images Vertically/Horizontaly	○	○	○

OptiPix Feature	Lite	Full	Data base
<b>Calibrated Measurements</b>			
Calibrate user-defined Magnifications	○	○	○
Distance Measurement	○	○	○
Circle and Polygon Measurement		○	○
Angle and Curve Measurement		○	○
Free-form Area, Length and Perimeter		○	○
Count Objects		○	○
<b>Overlays on Live Image</b>			
Adjustable Grid, Crosshair	○	○	○
Adjustable Rectangle		○	○
Calibrated Ruler		○	○
Digital Graticule overlay		○	○
<b>Others</b>			
Annotations on Image	○	○	○
Change item Size, Color, Font	○	○	○
Color Mapping, B/W Conversion		○	○

# Optilia Advantages over Competitors

- **Best image quality and true colour** resulting from Optilia's superior optics and SONY's Exmor® image sensor, facilitating more accurate and reliable inspection tasks
- **Fast Autofocus** allows quick inspection of objects at different heights and magnifications
- **Extended 500mm working distances** in Optilia's FreeSight models provides clutter-free working space with clear viewing of the monitor
- **Full HD 1920x1080 still image capture** with Optilia's unique SD-card Capture Device for documentation and communication
- **Dual display of still reference image and live image** of inspected object using Optilia's unique SD-card Capture Device
- **Live Image Overlay** utility for superimposing custom made soft Graticules, Test patterns, CADs, and Scales allows simple and quick dimensional control and geometrical measurement of inspecting parts
- **Modular Camera System Design with SDK** for system integration and flexibility for adaptation according to customer's needs

# Pricing

Product Name	Product No.	Price (Ex Works)
M20x-HD EasyView with Basic Control Unit and Single-rod Boom Stand	OP-109 011	E-mail
M30x Full HD with Basic Control Unit and Single-rod Boom Stand	OP-109 012	E-mail
W10x Full HD with Control software and Double-rod Boom Stand	OP-009 002	E-mail
W30x Full HD with Advanced Joystick Control Unit and Focusing Stand	OP-209 002	E-mail
In-Line W30x incl. XY-stand and remote Control PC software	OP-209 010-IN	E-mail
Bench-top W30x incl. XY-stand and remote Control PC software	OP-209 010-BT	E-mail

Optional accessories	Product No.	Price (Ex Works)
Full HD 1080p SD-Card Image Capture Device	OP-009 080	495 €
USB3.0 HD Frame Grabber with OptiPix Lite software	OP-006 310	495 €
OptiPix Full measurement and analysis software , including 0.1mm pitch Calibration Micrometer Scale	OP-006 119	890 €
Close-up lens +5 diopter (f=200mm)	OP-009 305	345 €
White Ring-Light set, 40 LEDs, Segment control with Dimmer	OP-006 385	645 €

Upgrade to FreeSight, 500mm working distance for 455 € surcharge.

Upgrade to ESD-protected products for 250 € surcharge.

Upgrade to IP-64 hermetically sealed housing for 350 € surcharge.